

**SPECULATIVE BUILDING NO. 3
FOR
SOUTHEAST KY. REGIONAL IND. PARK
CORBIN, KENTUCKY**

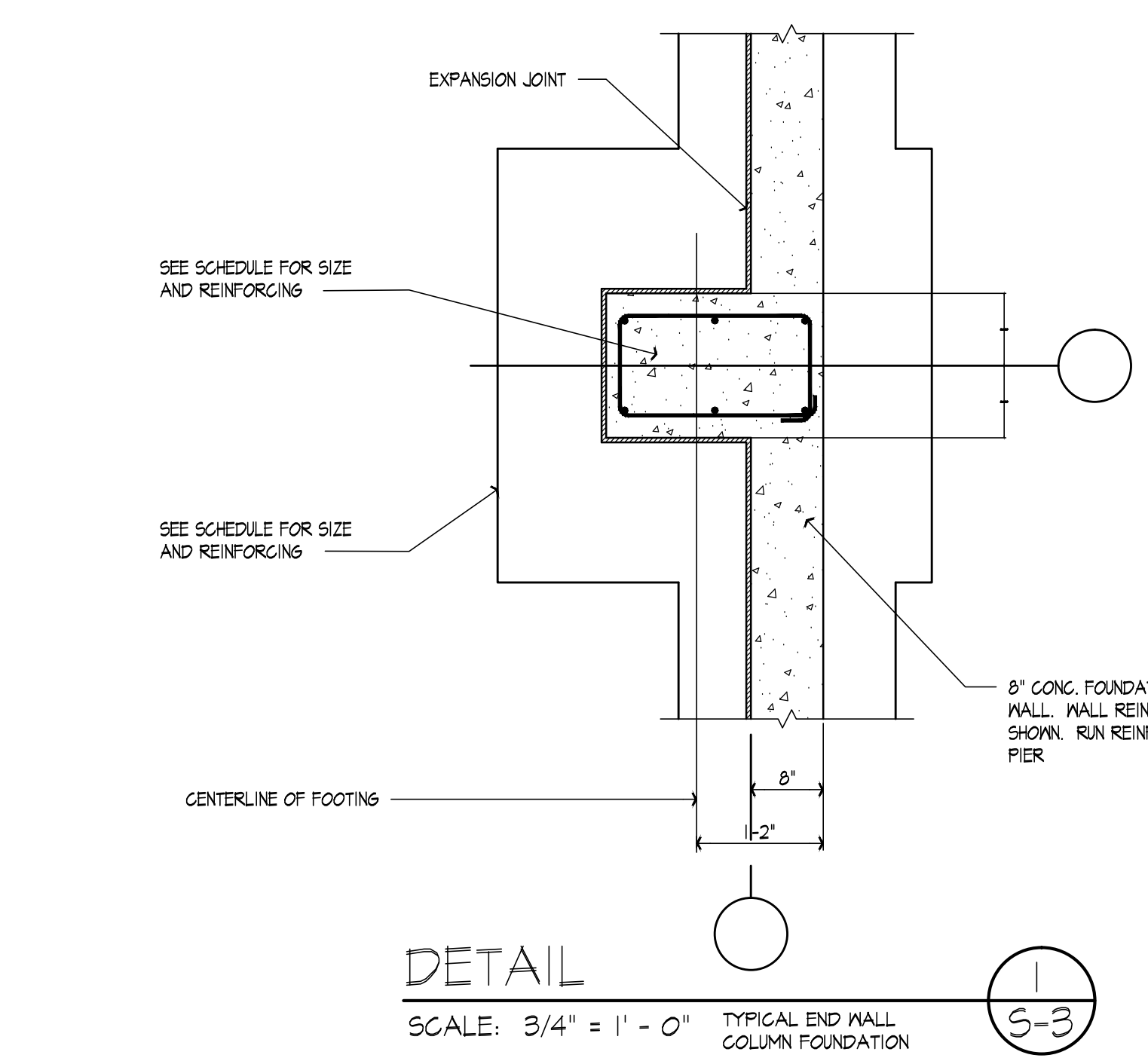
DESIGN DOCUMENTS: These are not of responsibility and liability for problems which arise from failure to follow these plans, specifications and the design intent thereon.
 COPYRIGHT © 2015 by M&F/A/P/L, Inc. All rights reserved. No part of this document may be reproduced, stored in a retrieval system, or transmitted in any form or by any means, electronic, mechanical, photocopying, recording, or by any information storage and retrieval system, without the prior written permission of M&F/A/P/L, Inc.

PROJECT NO.	DATE	REVISION
2063-56		

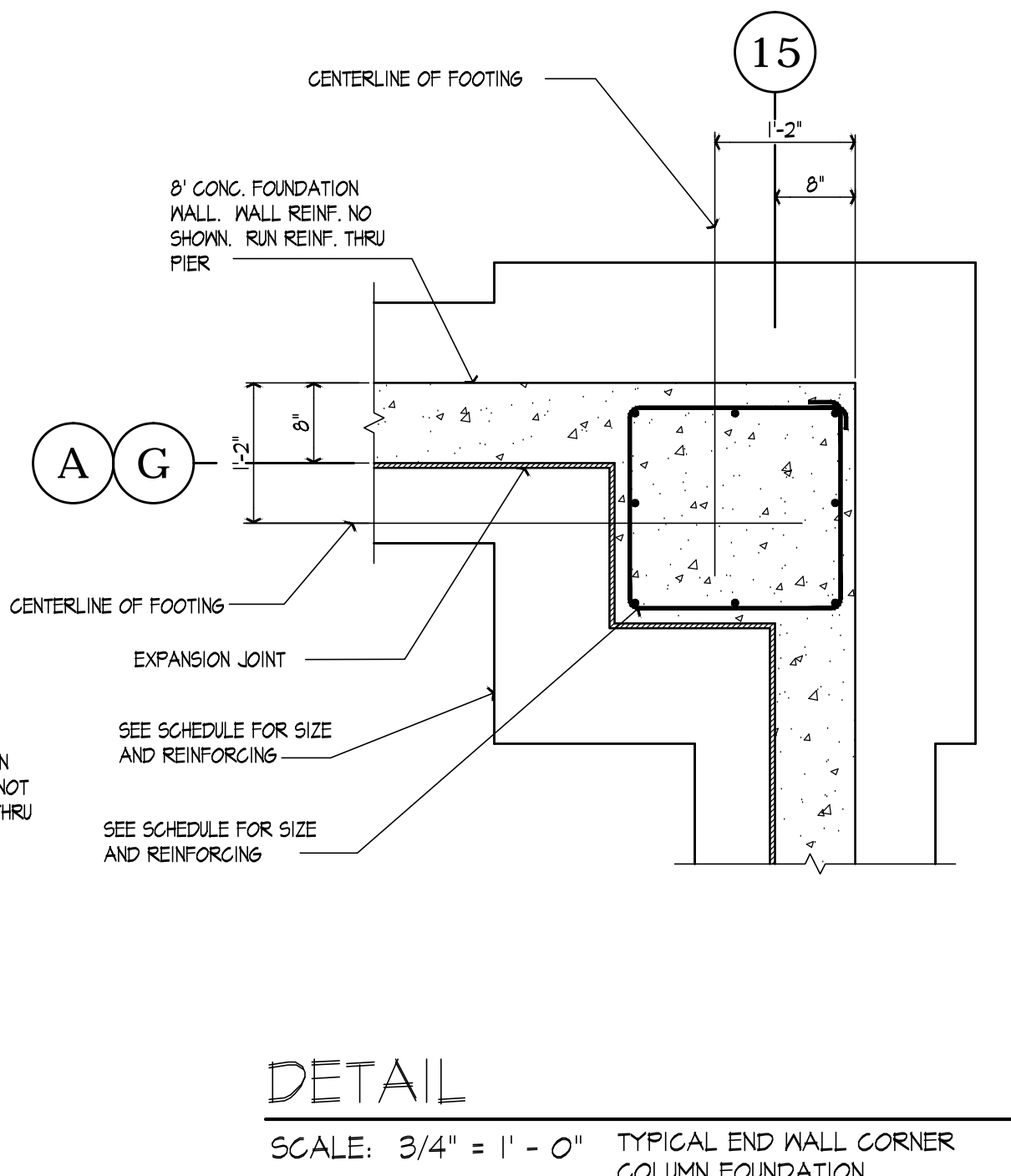
DESIGNED BY: GK
 DRAWN BY: M&F/A/P/L
 CHECKED BY: GR
 REVIEWED BY: JULY 2015
 SCALE: AS NOTED

**Engineers
Architects
Planners**
M&F
OF KENTUCKY, INC.
 Phone: (859)223-5694
 Fax: (859)223-2607
 624 Wellington Way
 Lexington, KY 40503
 www.msfatx.com

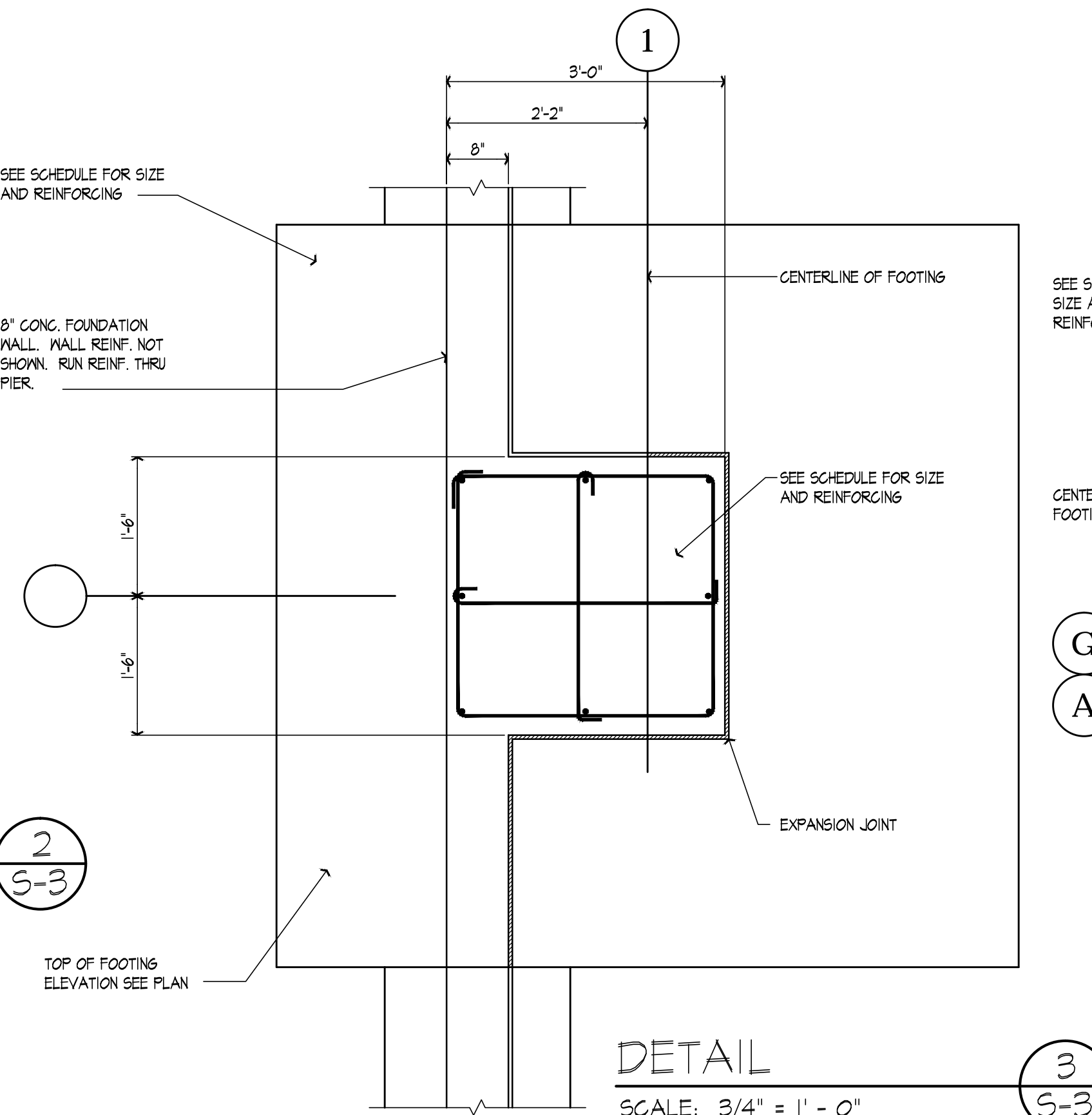
DRAWING NO.
S-3
 SHEET OF



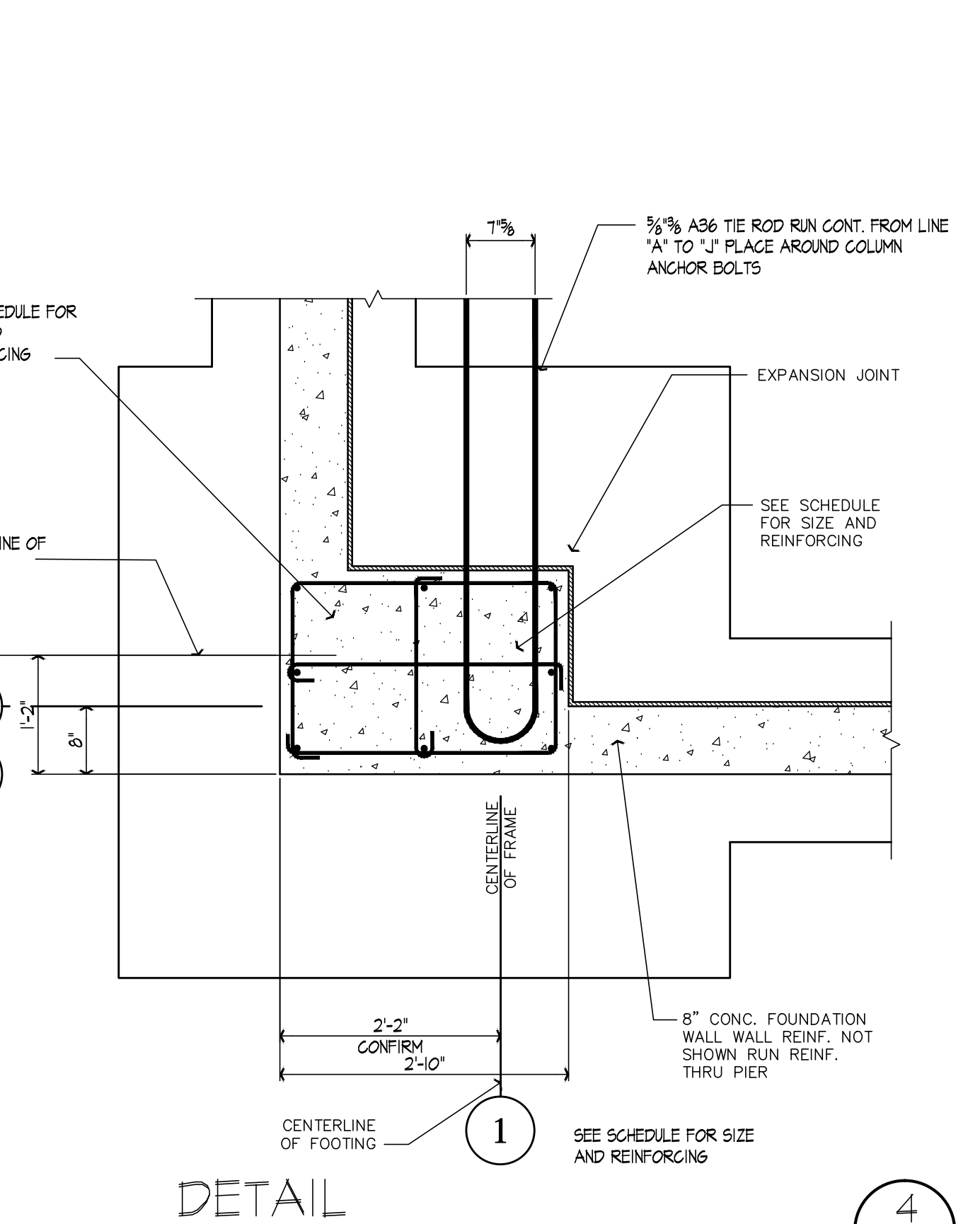
DETAIL 1
 SCALE: 3/4" = 1' - 0"
 TYPICAL END WALL COLUMN FOUNDATION



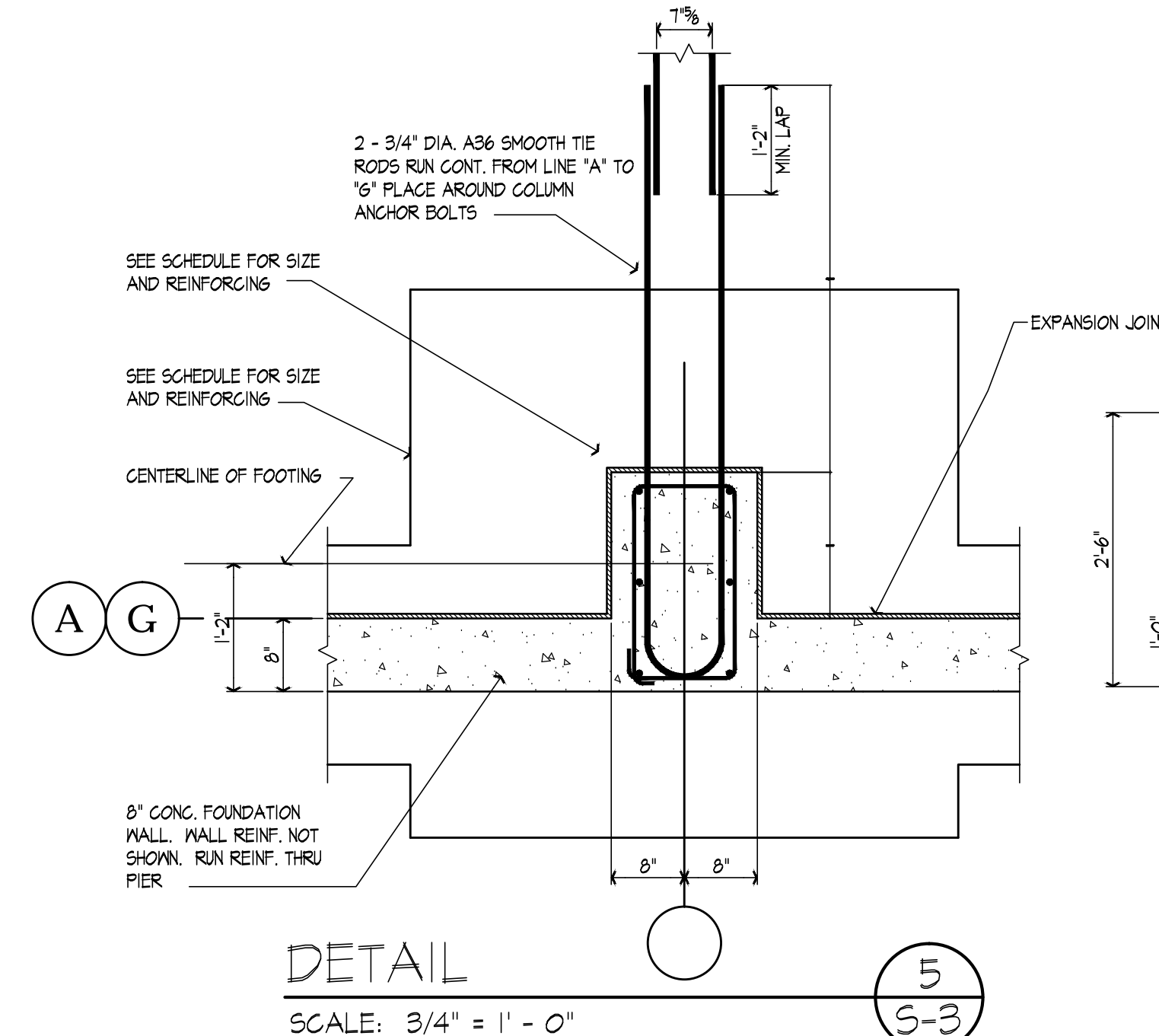
DETAIL 2
 SCALE: 3/4" = 1' - 0"
 TYPICAL END WALL CORNER COLUMN FOUNDATION



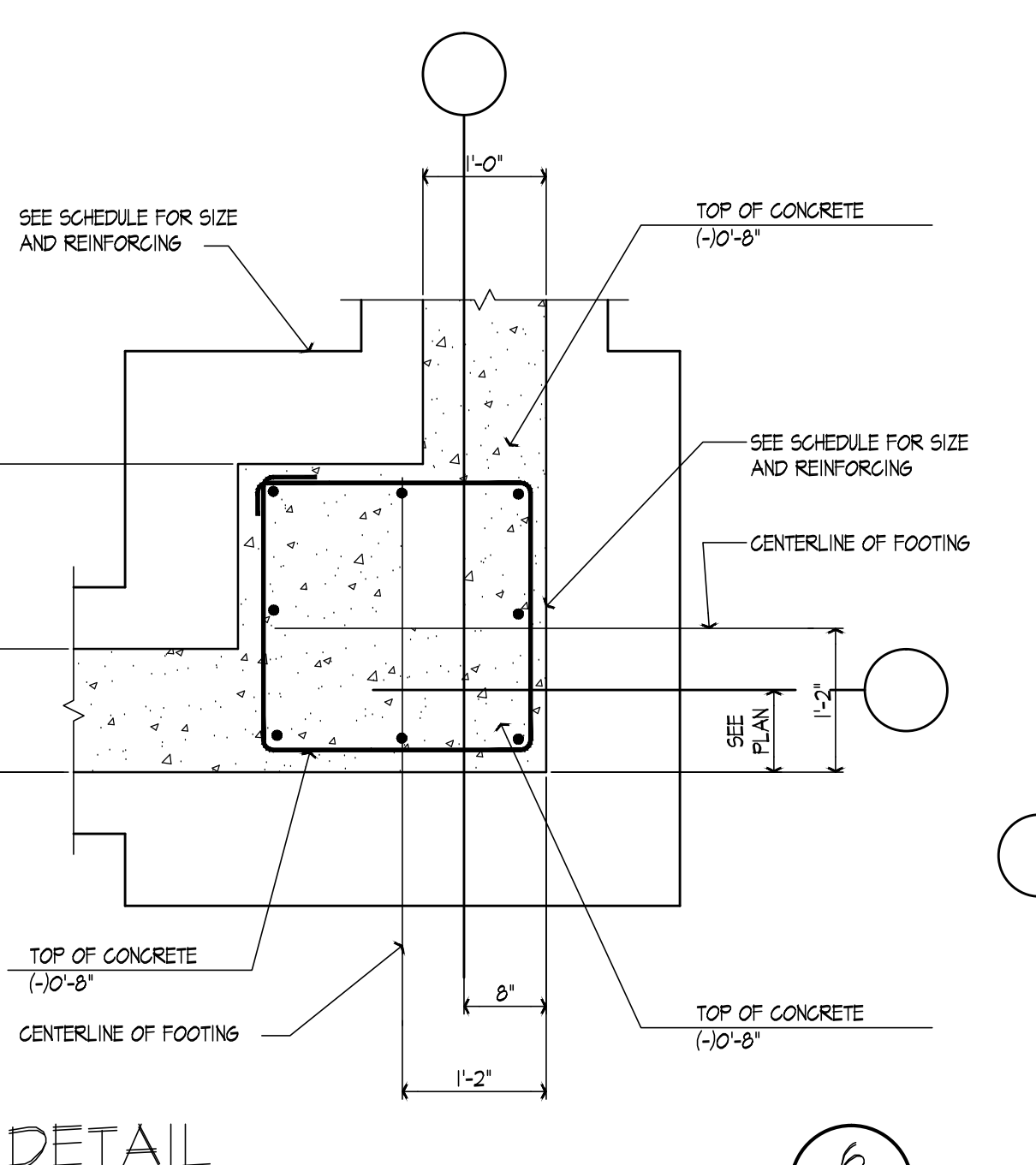
DETAIL 3
 SCALE: 3/4" = 1' - 0"
 TYPICAL FRAME COLUMN FOUNDATION AT EXPANDABLE WALL



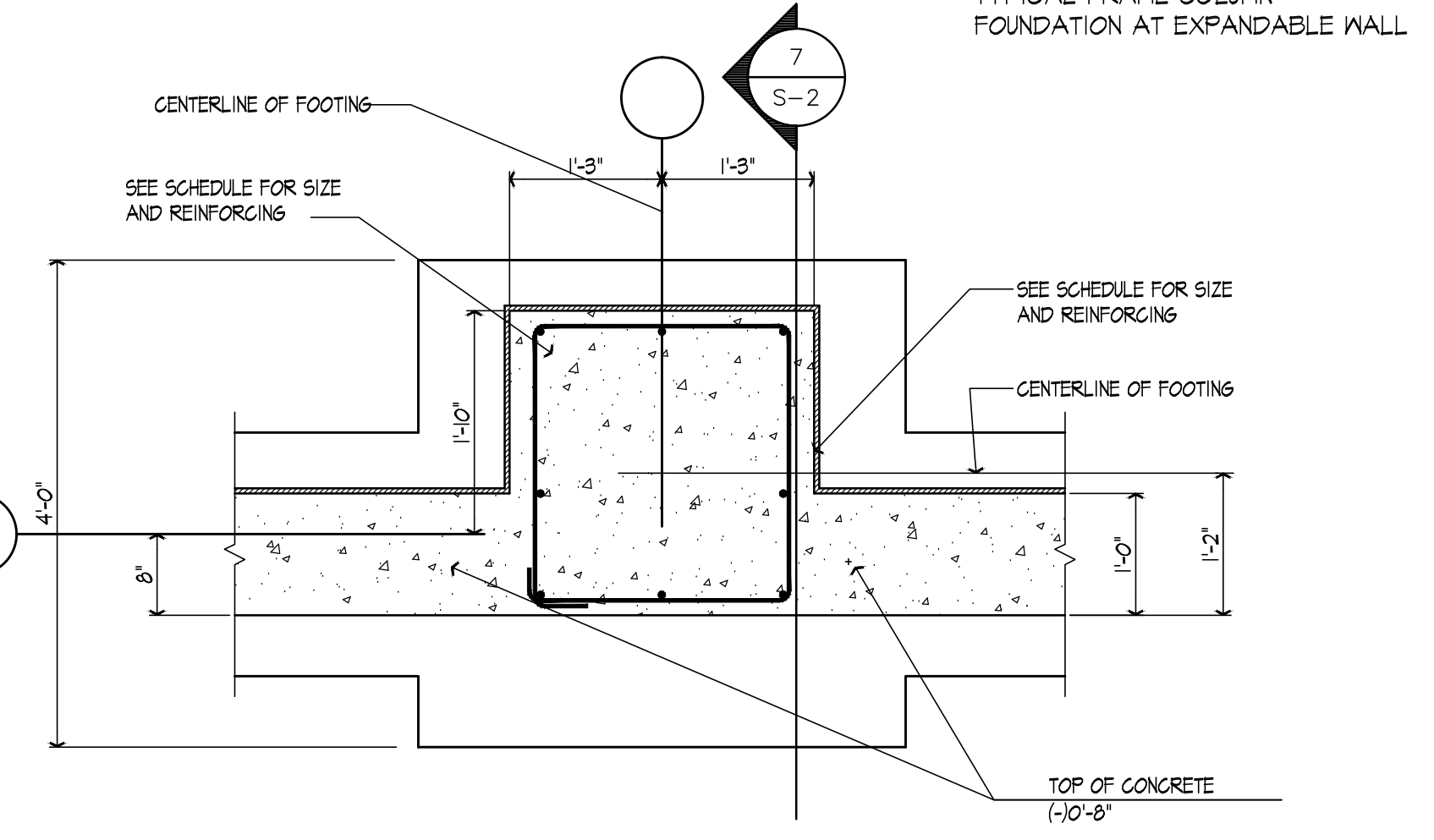
DETAIL 4
 SCALE: 3/4" = 1' - 0"
 SIDEWALL FRAME COLUMN FOUNDATION AT EXPANSION WALL



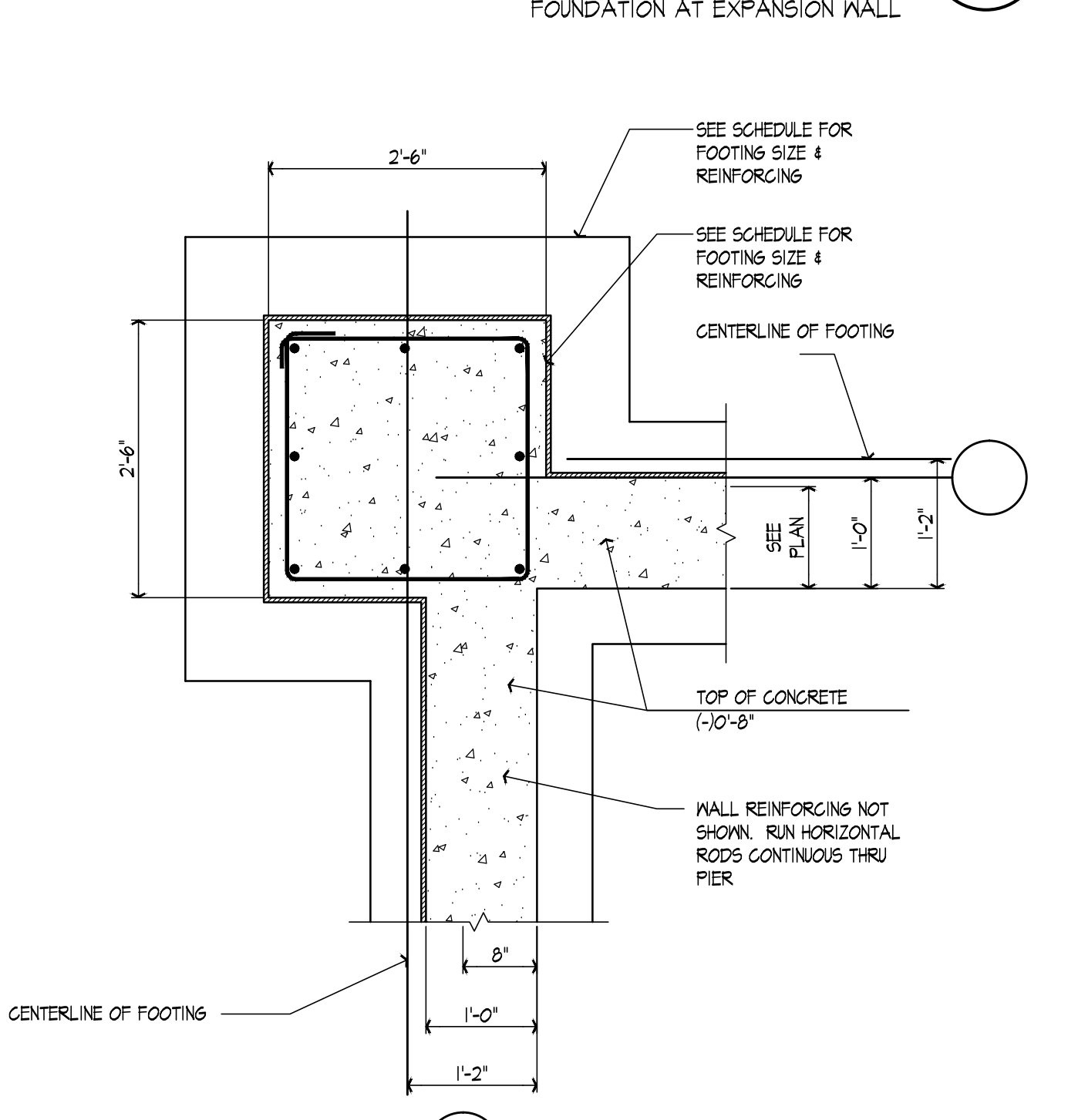
DETAIL 5
 SCALE: 3/4" = 1' - 0"



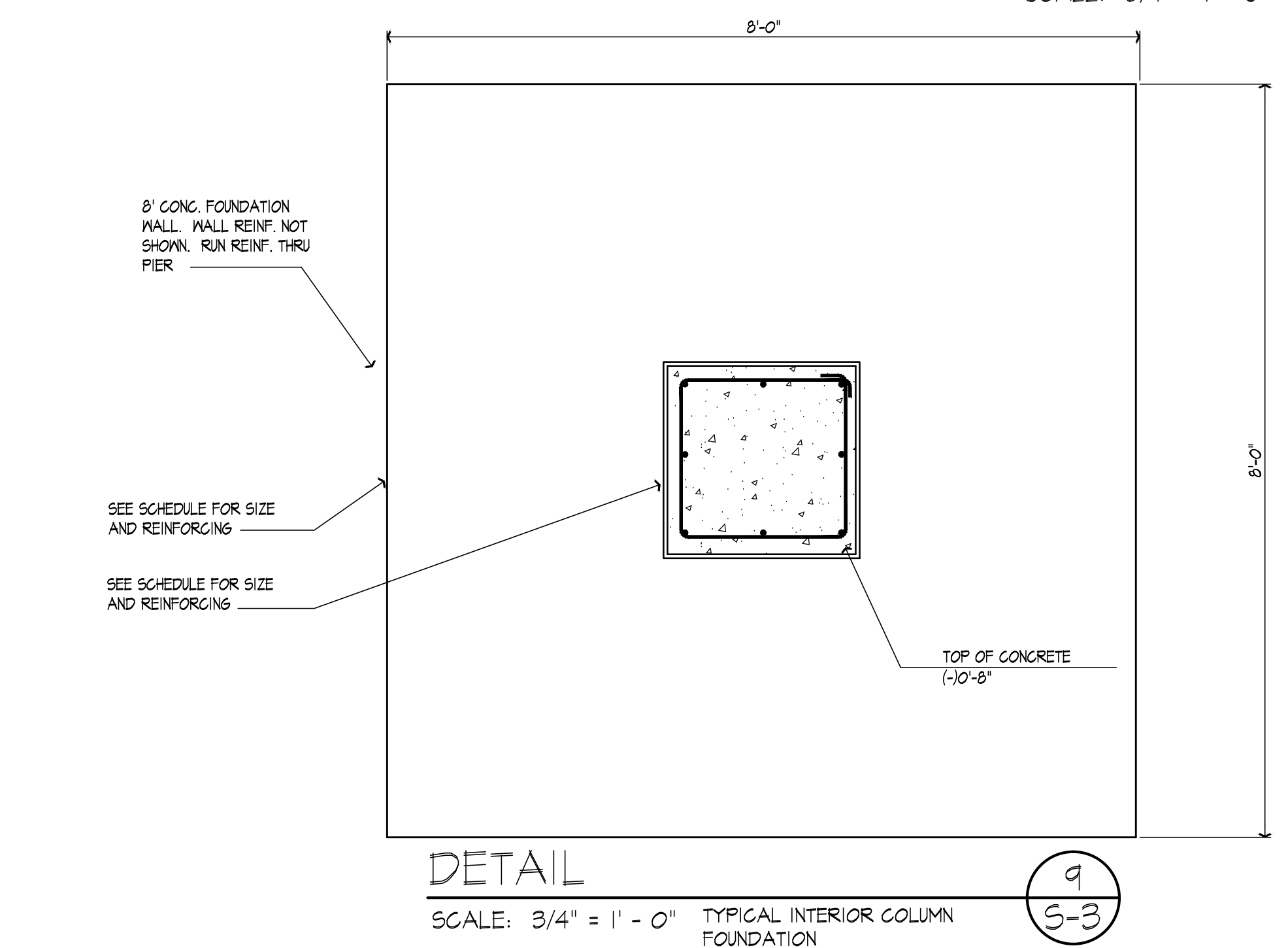
DETAIL 6
 SCALE: 3/4" = 1' - 0"
 OFFICE COLUMN FOUNDATION OUTSIDE CORNER COLUMN



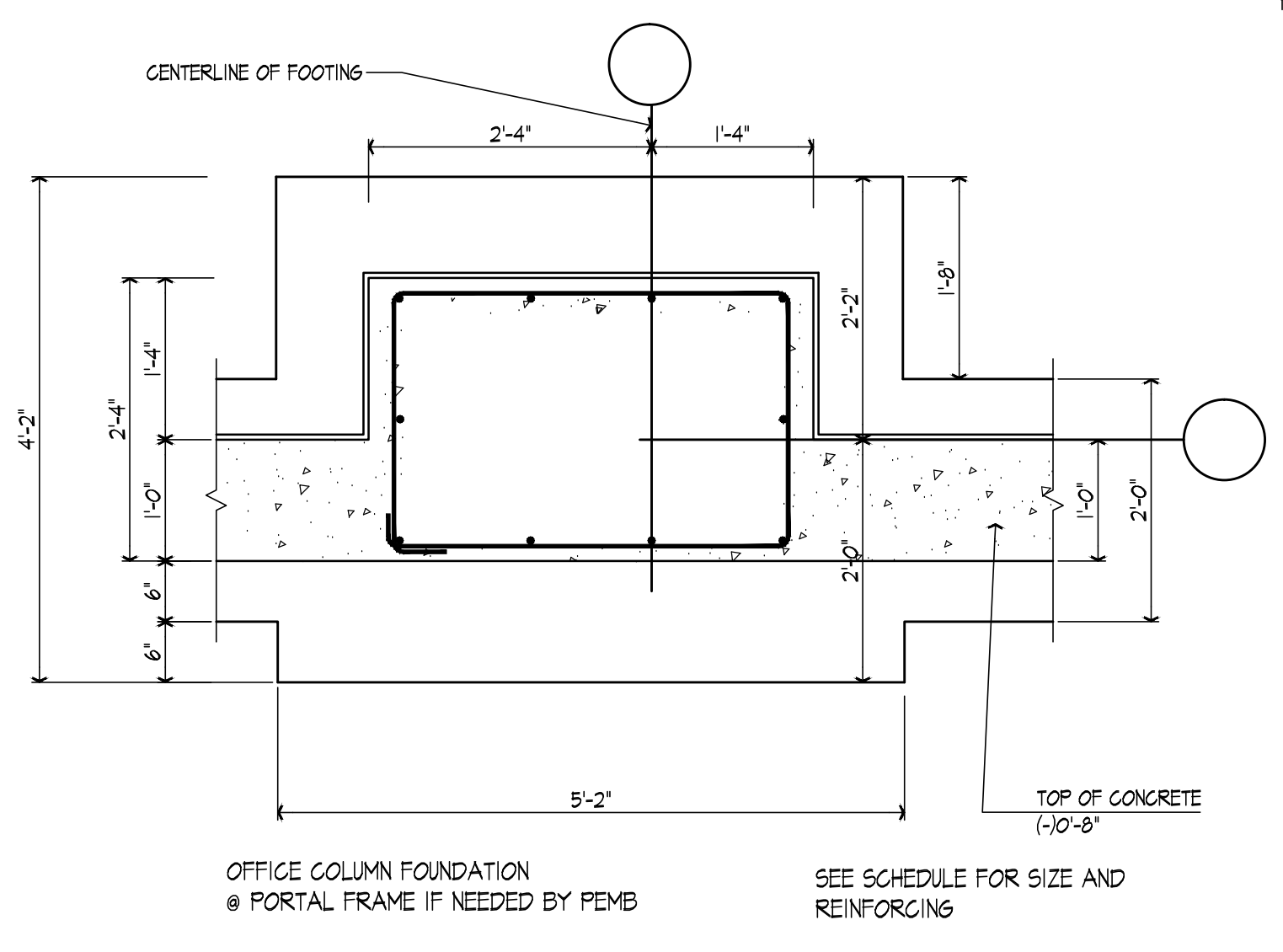
DETAIL 7
 SCALE: 3/4" = 1' - 0"
 OFFICE COLUMN FOUNDATION



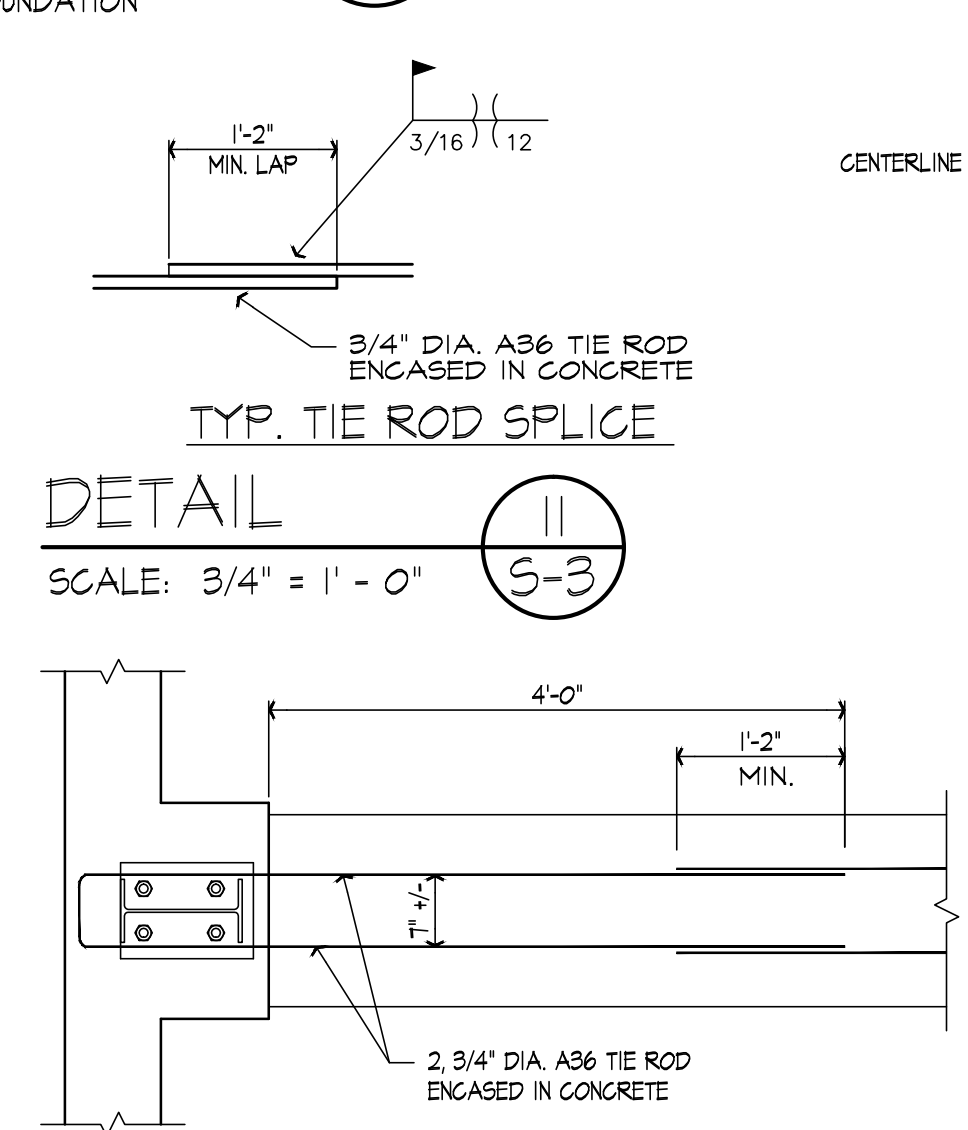
DETAIL 8
 SCALE: 3/4" = 1' - 0"
 OFFICE COLUMN FOUNDATION INSIDE CORNER COLUMN



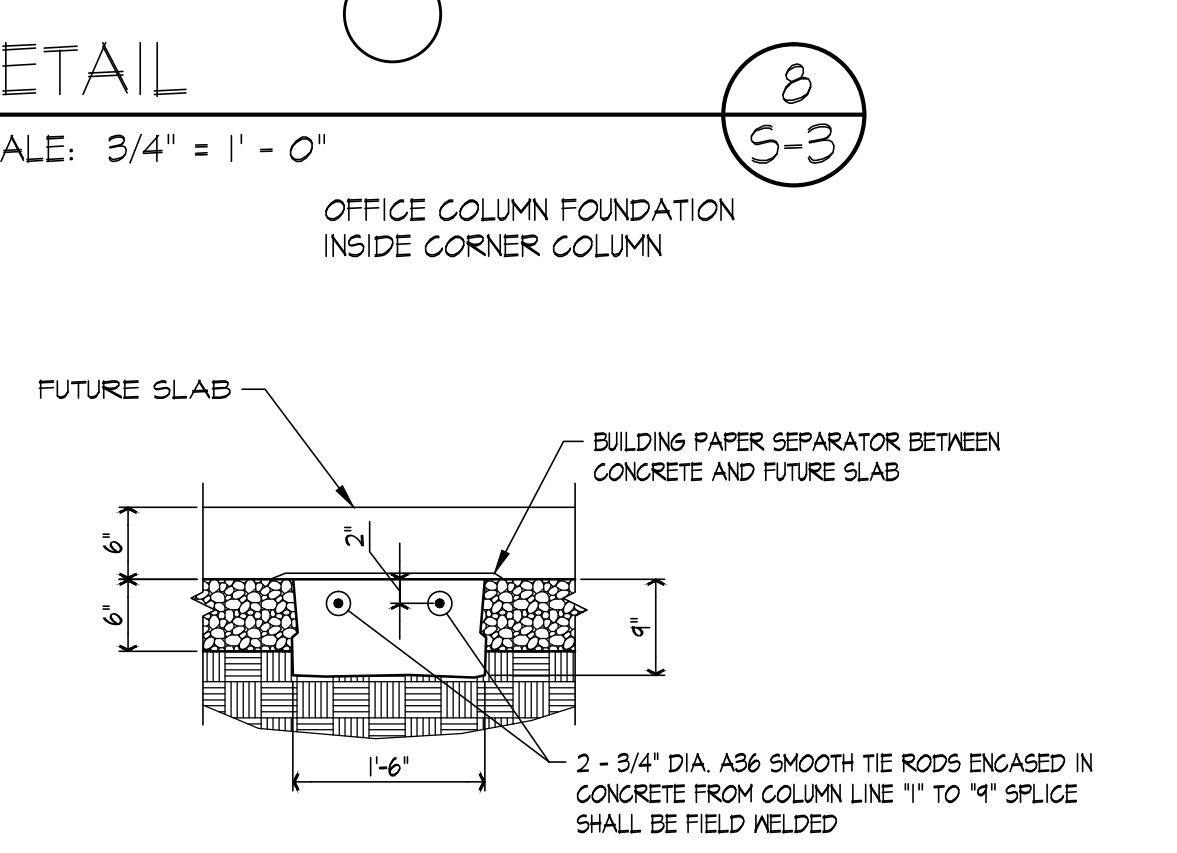
DETAIL 9
 SCALE: 3/4" = 1' - 0"
 TYPICAL INTERIOR COLUMN FOUNDATION



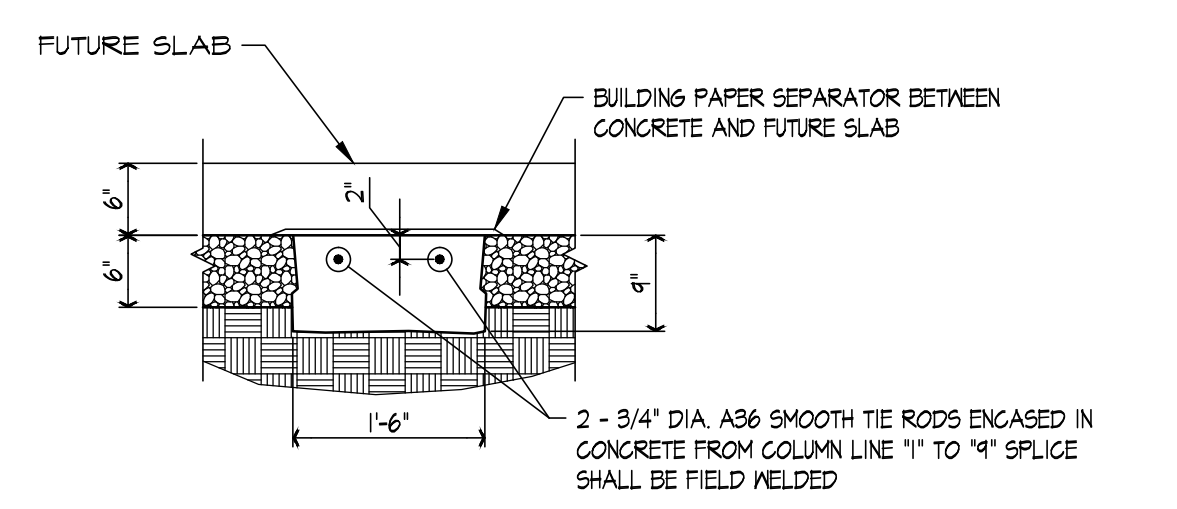
DETAIL 10
 SCALE: 3/4" = 1' - 0"
 OFFICE COLUMN FOUNDATION



DETAIL 11
 SCALE: 3/4" = 1' - 0"
 TYP. TIE ROD ANCHOR



DETAIL 12
 SCALE: 3/4" = 1' - 0"
 TYP. TIE ROD SPLICE



DETAIL 13
 SCALE: 3/4" = 1' - 0"
 FUTURE SLAB